

BOOMBOX NA4

COBRANET® AMPLIFIERS

The BoomBox NA4 CobraNet® Audio Interface is a cost-effective four-channel networked power amplifier for paging and background music applications. Each channel can amplify either of two received CobraNet® audio streams. Each channel has its own volume control, and both signal routing and volume are controllable over the network. The BoomBox NA4 can be powered by either PoE, PoE+, or by a +12V DC supply.



FEATURES AND BENEFITS

- Four power amplifier channels
- Volume control per channel, network controllable
- Simple setup using Attero Tech Control Center
- Accepts two CobraNet® audio channels, selectable over the network
- Powered by PoE, PoE+, or external DC. When powered by PoE/PoE+, maximum output power is automatically limited based on available power
- Speaker connections on 2-pin depluggable connectors
- Enclosure size is 1.5”H x 7.25”W x 6.5”D

APPLICATIONS

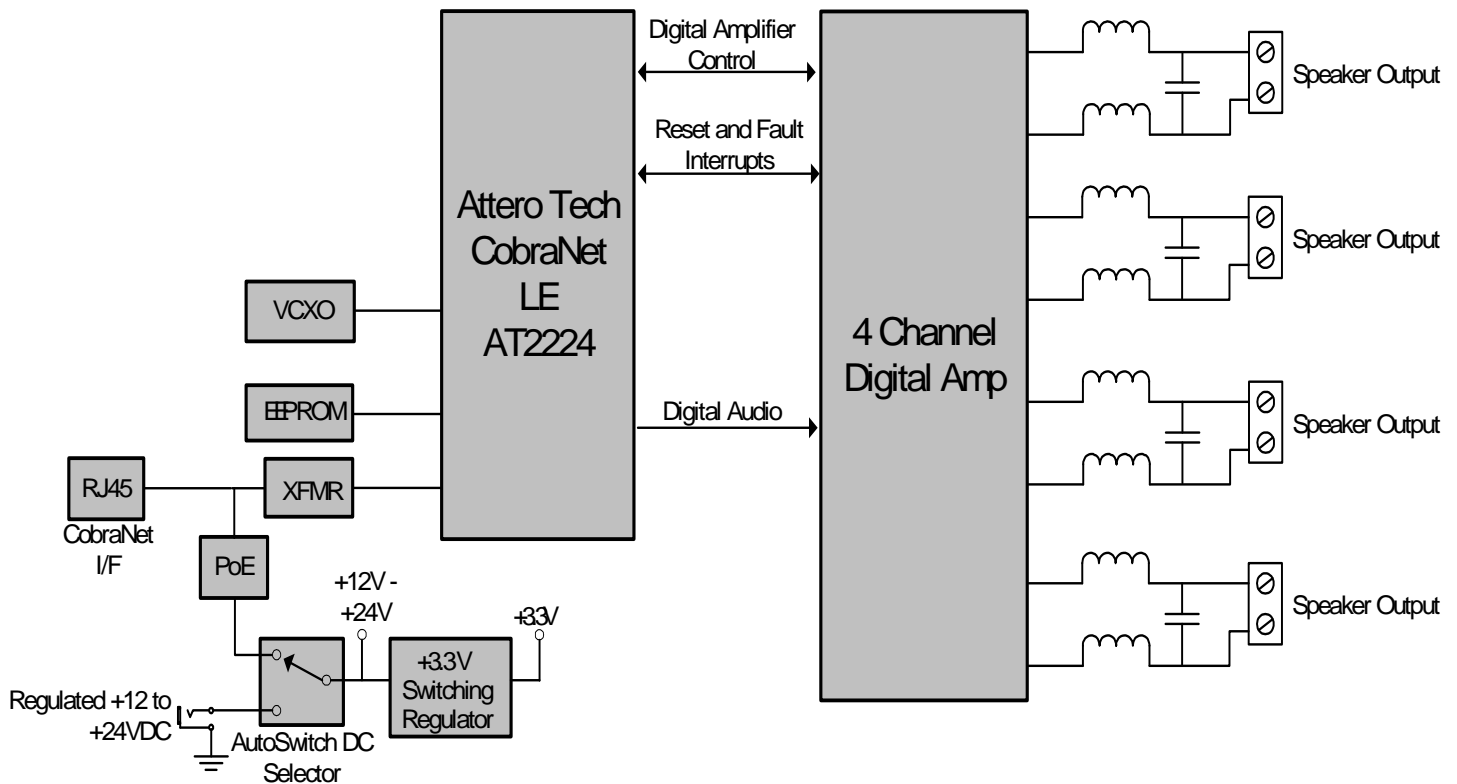
- Small, cost-effective power amplifier for:
 - Paging applications
 - Background Music System
- Desk-mounted speakers

ABOUT ATTERO TECH

Attero Tech is a leading provider of CobraNet® audio interfaces. These innovative networked audio products make it cost effective for audio installations to include CobraNet®. Attero Tech is headquartered in Fort Wayne, Indiana. Contact us at:

260.496.9668

www.atterotech.com



SPECIFICATIONS

Number of Output Channels:	4
Output Power:	See Below
802.3af PoE	2W/channel
802.3at PoE or DC	4W/channel
THD:	<.1% @ 1kHz, full power
Output Noise:	<-75dBu
PoE Class:	Class 4, will operate correctly with 802.3af or 802.3at
Power Consumption:	<30W
Dimensions:	7.5" W x 1.75" H x 5.0" D
Operating Temperature:	0 °C - 40 °C

ARCHITECTS & ENGINEERS SPECS

The CobraNet® interface unit shall provide four channels of speaker level audio amplification. Each channel shall be capable of reproducing either of two CobraNet® audio channels that the interface can receive. Each channel shall support volume control. The internal digital to analog signal conversion shall be performed at 16-bit resolution with a sampling frequency of 48 kHz. The CobraNet® interface unit shall receive power over the Ethernet cable from an 802.3af or 802.2at PoE compliant network switch, or from a +12V DC to +24V DC external power supply (autoswitching).

The CobraNet® interface shall be compatible with Attero Tech Control Center software monitoring in system applications. The CobraNet® interface shall be compliant with the RoHS directive

The CobraNet® interface shall be Attero Tech BoomBox NA4.