

## INBOX X2

### COBRANET® AUDIO INTERFACE

The InBox X2 CobraNet® Audio Input Interface is a cost effective two input, mic/line level wall box. The X2 features switchable mic/line gain, switchable +12 V phantom power, and clipping indicators for each channel. The X2 is designed to fit into most dual gang junction boxes and is PoE enabled, so all connectivity (both power and audio data) to the X2 is provided by a single CAT-5 cable.



### FEATURES AND BENEFITS

- Two balanced female XLR/TRS combo input connectors
- Mounts in a standard dual gang junction box
- Input gain selection for line (0 dB) and mic (+30 dB), switchable per channel
- +12 V Phantom Power, switchable per channel
- Bicolor (yellow/red) clipping indicators for -6 dB below full scale and clipping per channel
- PoE powered from a standard PoE network switch
- Enclosure size is 3.60"W x 2.75"H x 1.88"D (excluding projections - See User Manual for complete mechanical details)

### APPLICATIONS

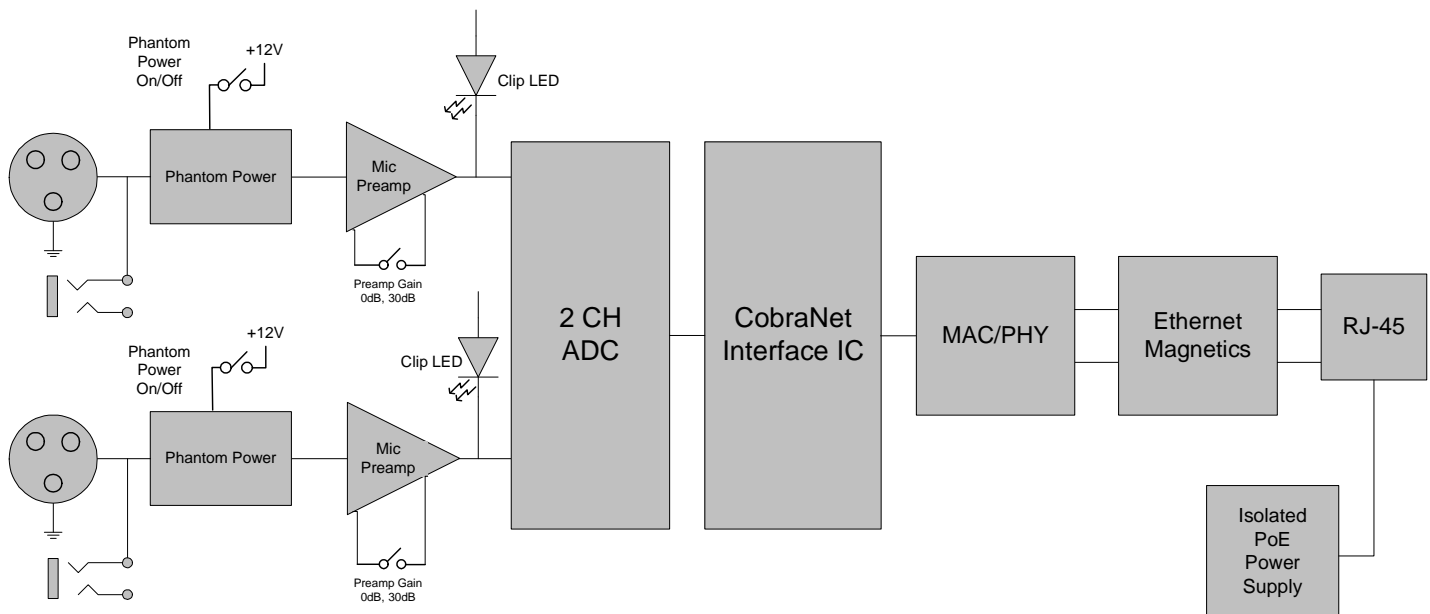
- Convenient, wall mounted mic/line drops for:
  - Hotel ballrooms
  - Conference/meeting centers
  - Conference rooms
  - Sports facilities
  - Convention centers

### ABOUT ATTERO TECH

Attero Tech is a leading provider of CobraNet® audio interfaces. These innovative networked audio products make it cost effective for audio installations to include CobraNet®. Attero Tech is headquartered in Fort Wayne, Indiana. Contact us at:

260.496.9668

[www.atterotech.com](http://www.atterotech.com)



## SPECIFICATIONS

<b>Mic/Line Input Type:</b>	Balanced and RF Filtered XLR/TRS
<b>Phantom Power:</b>	+12V, switchable
<b>Input Impedance:</b>	2kΩ in Mic mode, 120kΩ in Line mode
<b>Mic Gain:</b>	+30 dB
<b>EIN (Mic mode):</b>	-109 dBu
<b>Freq Response (Mic gain):</b>	50 Hz – 20 kHz, +/- 1 dB
<b>Freq Response (Line gain):</b>	20 Hz – 20 kHz, +/- 1 dB
<b>Max Input Level:</b>	+8 dBu without clipping
<b>System THD (any input):</b>	<0.05%, 1kHz, 3 dB below input clipping
<b>Inputs:</b>	Two non-latched female XLR/TRS Combo connectors
<b>Clip LEDs:</b>	Yellow @ -6 dB below clipping, Red @ clipping
<b>Power Consumption:</b>	4 W
<b>PoE Class:</b>	Class 2 802.3af PoE PD Compliant
<b>Dimensions:</b>	3.60"W x 2.75"H x 1.88"D (excluding projections)
<b>Operating Temperature:</b>	0°C-40°C

## ARCHITECTS & ENGINEERS SPECS

The CobraNet® interface unit shall provide two mic/line analog inputs on the front panel with XLR and TRS connectors. A selectable gain of 0 dB or +30 dB, and +12 V phantom power option shall be provided via front panel switches for each analog input channel. The internal analog to digital signal conversion shall be performed at 24-bit resolution with a sampling frequency of 48 kHz. The CobraNet® interface unit shall receive power over the Ethernet cable from an 802.3af PoE compliant network switch. The CobraNet® interface shall be wall mounted in a standard dual gang junction box.

The CobraNet® interface shall be compatible with Attero Tech Control Center software for flexible control and monitoring in system applications. The CobraNet® interface shall be compliant with the RoHS directive.

The CobraNet® interface shall be the Attero Tech InBox X2.