

SquawkBox Overview

The SquawkBox CobraNet Audio Interface is a cost-effective desktop audio product designed to allow a user to easily monitor multiple channels of audio on a CobraNet-based AV system. Up to 16 channels can be monitored using either the internal speaker or with headphones. A 17th "override" channel can be initiated externally for system wide announcements. The SquawkBox can be powered by either PoE or by a DC adapter.

Applications

Convenient, desktop audio interface for:

- State and Federal legislative complexes
- Courtrooms
- Central monitoring facilities
- Convention centers

Features

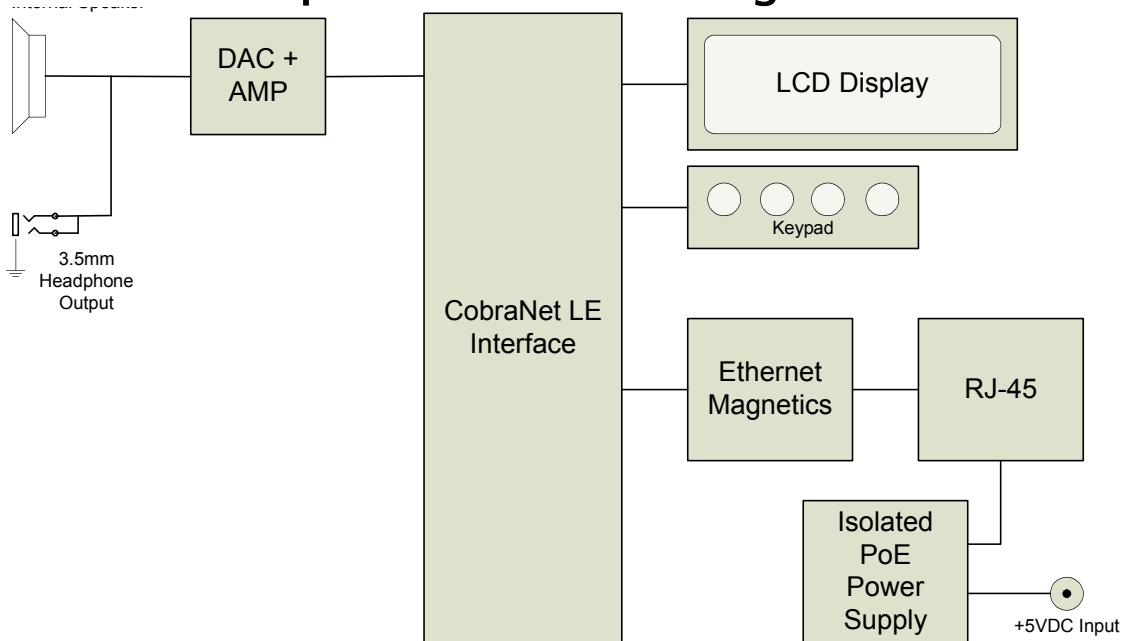
- 16 channels of CobraNet audio can be monitored
- A 17th channel can be set up as an override channel. A simple network message forces the SquawkBox to connect to the override channel to facilitate system wide messages
- Simple setup using any web browser
- LCD display shows the name of each audio stream
- Adjustable volume and simple channel selection
- Internal speaker or rear panel 3.5mm headphone jack for private monitoring
- PoE powered from a standard PoE network switch, or from a DC adapter
- Desktop or wall mount

Enclosure size is 7.50"W x 1.75"H x 5.0"D



CobraNet[®] is a registered trademark of Cirrus Logic, Inc.

SquawkBox Block Diagram



Specifications in Brief:

| | |
|-------------------------------|--|
| Number of Channels Monitored: | 16 User Selectable + 1 Externally Enabled Override |
| LCD Display: | 16 Characters |
| User Controls: | 4 Buttons – Channel Up/Down, Volume Up/Down |
| Audio Outputs: | Internal Speaker and 3.5mm Headphone Jack, autoswitching |
| PoE Class: | Class 2 802.3af PoE PD Compliant |
| Power Consumption: | 4 W (Can be externally powered by +5VDC@.75A) |
| Dimensions: | 7.5"W x 1.75"H x 5.0"D |
| Operating Temperature: | 0 °C – 40 °C |

Architects and Engineers Specification

The CobraNet interface unit shall provide monitoring of any one of 16 CobraNet audio channels, with user selection of the monitored channel facilitated by “Channel Up” and “Channel Down” keypad buttons. Monitoring will be through either an internal loudspeaker or via a 3.5mm headphone jack. The internal speaker shall be automatically muted when a headphone plug is inserted into the 3.5mm jack. Volume control shall be facilitated by “Volume Up” and “Volume Down” keypad buttons. An externally triggered 17th channel shall be provided for system wide override messages. The internal digital to analog signal conversion shall be performed at 16-bit resolution with a sampling frequency of 48 kHz. The CobraNet interface unit shall receive power over the Ethernet cable from an 802.3af PoE compliant network switch, or from a +5VDC external power supply. The CobraNet interface shall have a 16 character, one line LCD display to show the names of each of the 16 audio channels. Names of audio channels, as well as other system configuration shall be accomplished using a web browser.

The CobraNet interface shall be compatible with Attero Tech Control Center software monitoring in system applications. The CobraNet interface shall be compliant with the RoHS directive.

The CobraNet interface shall be the Attero Tech SquawkBox.